

# SB-223615-11-UE-S4

## RF Isolation Shielded Box with Custom I/O

### General Description

SB-223615-11-UE-S4 is a High RF Isolation Shielded Box comes with customizable I/O Ports, RF Ports and customizable Box Size as well. High RF Shielding Boxes offers attenuation levels up to 95 dB even at 8 GHz. Maximum operating frequency customization is also available for whole series of High Performance RF Shielded Boxes.

SB-223615-11-UE-S4 comes with **four** SMA (f) RF Ports, **two** USB 2.0 connectors, **two** 1 Gbps Ethernet LAN connector and **one** fully shielded DC Power Jack rated up to 4.5 Amps. However, it is also possible to configure I/O ports by adding required number of USB 3.0 connector(s), HDMI 1.4b compatible feedthrough connector(s), 10 Gbps Ethernet LAN connector(s), Panel mountable Optical Fiber feedthru element(s) with 120 dB suppression and 110/220 V compatible AC feedthru connectors as well. Ventilation panels are offered as a standard item and can be configured both in size and comb radius as well. Implementation of other types rarely used I/O ports is also possible upon request.

Its solid design makes it preferable for every laboratory environments and test conditions.

### Features

- High RF Shielding (>90 dB) up to 8 GHz.
- Reliable and Repeatable Test Environment
- Great variety of I/O Ports available (USB 2.0, USB 3.0, 1 Gbps LAN, 10 Gbps LAN, DC Shielded Feedthru, 110V/220V compatible AC Shielded Feedthru, HDMI, Fiber etc.
- Large Selection of types and number of RF Ports (SMA, Type N up to 16 ports)
- Easy manual operation
- Pneumatic operation is available upon request
- Easily customizable in size for all dimensions up to few meter(s)
- High Quality RF Absorber Texture with a great durability
- Rugged construction for long life

### Applications

- Wi-Fi, GSM, GPS, 3G, 4G, 5G, LTE, Microwave Radio Fading Simulators
- Ideal for Wi-Fi, GSM, GPRS Device Testing
- Engineering/Production Test Labs
- Automated Test Equipment (ATE)
- MIMO Test Setups, EMC Tst Setups

Parameter	Notes/Explanations	Value
Environment	Operating Temperature	b/w -51° & 121°
	Relative Humidity	< 95%
Physical Interfaces	Power	DC Shielded up to 4.5 Amps
	I/O Ports	USB 2.0, 1 Gbps LAN
	RF Ports	SMA (f)
	Ventilation	Customizable in Size
Mechanical	Dimensions (mm)	440 x 290 x 220
	Weight (kg)	6.3

1

**Table 1 General Specifications**

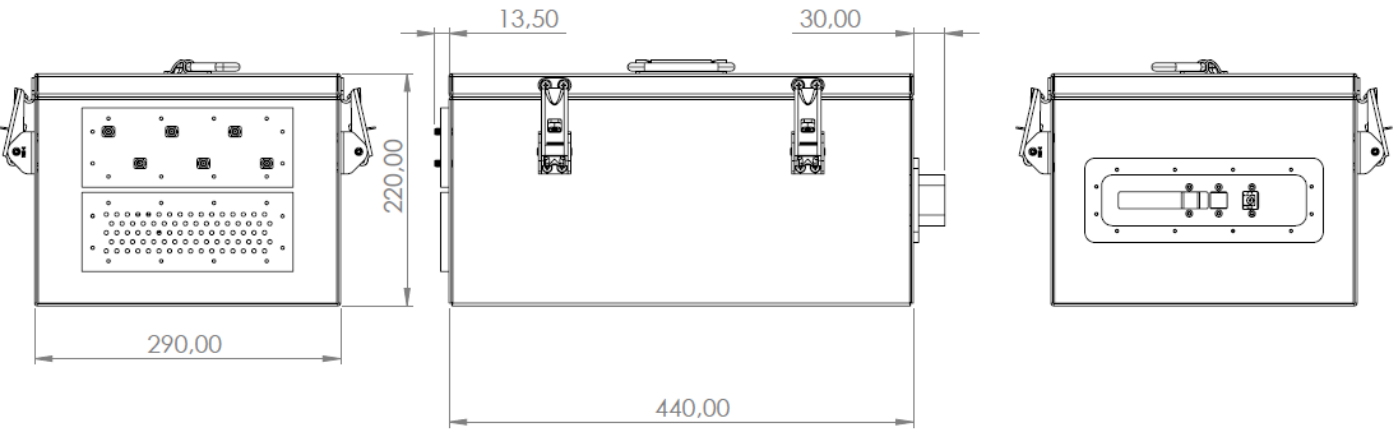
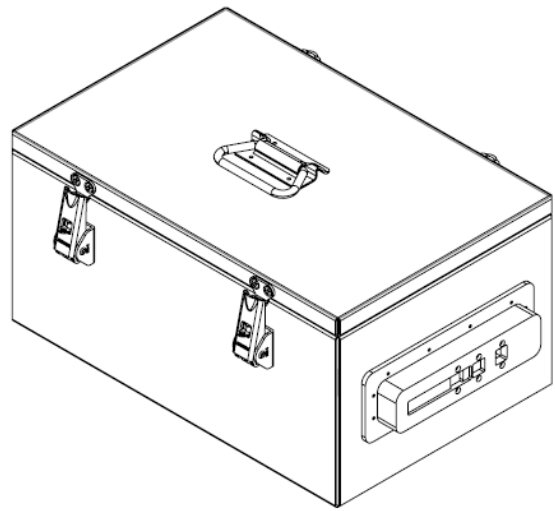
# RF System Specifications

---

Parameter	Condition	Value			Unit
		Min.	Typ.	Max.	
Frequency Range	-	100	-	18000	MHz
Shielding	-	90	105	120	dB

# Mechanical Specifications

---



All dimensions are in millimeters